

GE
Lighting

GE energy smart® LED A19 General Purpose Bulb - Omni-Directional Lighting

The GE energy smart® LED A19 stands apart as an excellent replacement for a standard 40W incandescent product and is expected to meet ENERGY STAR® guidelines that will be effective in August 2010.

Product Benefits

- Saves \$77.50 in energy* vs. 40 watt incandescent
- 9 Watts
- High output
 - 450 Initial lumens / 50 LPW
- Color 3000K, 80+CRI
- Very long life - 25,000 hours at L70
- Omni-directional, ENERGY STAR® qualified
- Instant full brightness similar to Incandescent or Halogen
- RoHS compliant
- GE Quality and Reliability



*@ 10¢ per kWh over the life of the lamp



Other

GE LED

Compare the Light and see
the GE OMNI-DIRECTIONAL
Difference!



imagination at work



GE energy smart®

LED A19 General Purpose Bulb

- Omni-Directional Lighting

Product Information

Product Code: 62180
Description: LED9A19/830
UPC: 043168621809

Product Code (CDN): 01396
Description: LED9A19/830/CDNTP
UPC: 064894013966
Casepack: 3

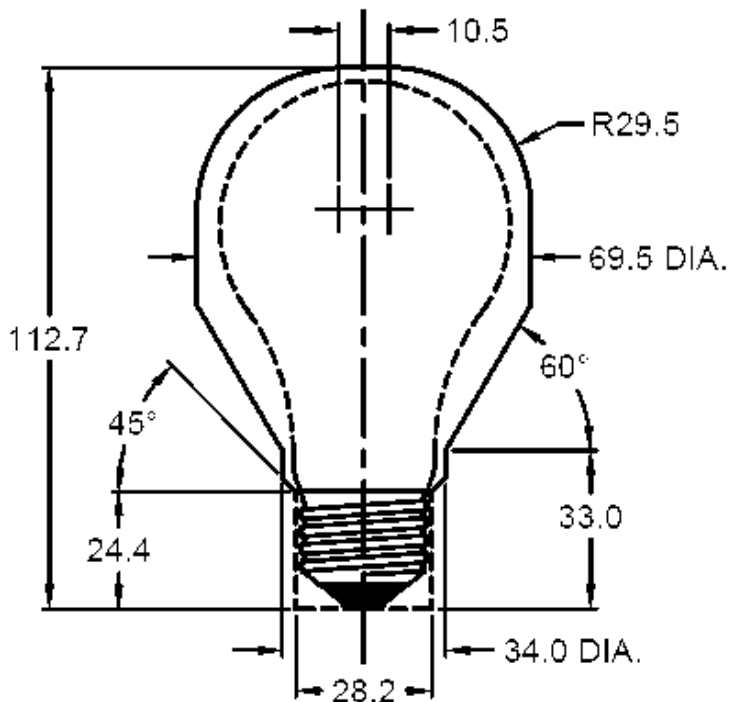


General Characteristics

Lamp type: LED - Aline
Bulb: A19
Base: Medium Screw (E26)
Bulb Finish: Coated
Initial Lumens: 450
Wattage: 9
Voltage: 120
CRI: >80
Color Temperature: 3000 K
Power Factor: >0.95
Rated Life: 25,000 hrs
Bulb Material: Soft Glass
Primary Application: Standard

Dimensions

Maximum Overall Length (MOL) 112.7 mm
Bulb Diameter (DIA) 69.5 mm
Weight: 125 grams



Drawing Number ANSI C78.20-2003
(C78.20-211)

Information provided is subject to change without notice. Please verify all details with GE. All values are design or typical values when measured under laboratory conditions, and GE makes no warranty or guarantee, express or implied, that such performance will be obtained under end-use conditions.

For additional product and application information,
please consult GE's Website: www.gelighting.com