

PHILIPS



LED Flood Light FL-2330/2350



This compact but powerful flood light is a true innovation combining practicality and aesthetics. With highly efficient LED engine and precise optical control, greater lighting performance adds the value to its exterior appearance. These LED lights have transformed the landscape lighting environment. Utilizing performance optics and long lasting driver, these landscape lights will last for years to come.

Optional Kelvin color* with adder.

AVAILABLE OPTIONS



Yoke Mount & Canopy Mount

FEATURES

LISTING

UL and CUL listed for wet locations

HOUSING

Solid construction die-cast aluminum body

FINISH

UV stabilized powder coated finish

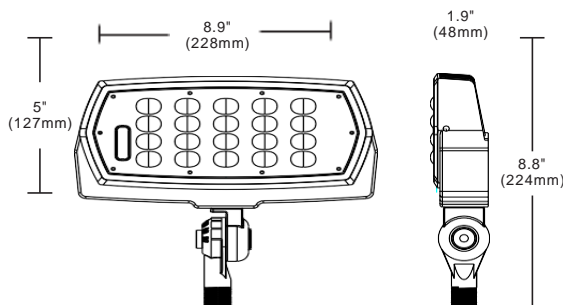
OPTIONS

Finish - Bronze. Color options with adder

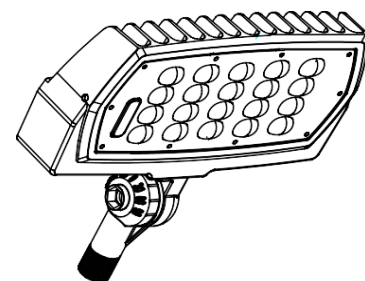
SPECIFICATION

Model No.	LED-2330	LED-2350
System watts	30	50
Lumen Output	3300lm**	5500lm**
Color	3000/5000K	3000/5000K
MA	480MA	480MA
Input Voltage	120~277V	120~277V
CRI	70+	70+
Starting Temp	-40°C	-40°C
Equivalent	70W~100W MH	150W MH

DIMENSIONS



LINE DRAWING



* Different LED Kelvin temperature available with 4-6 week lead time. Please call for a quote.

** DISCLAIMER: This test report was produced in accordance with IES LM-79 photometric testing protocol for luminaires, using a single representative test fixture. Actual production units may vary from the values reported here by up to +10%.