



RETAIL

ATR

**Based
LED Lamps**



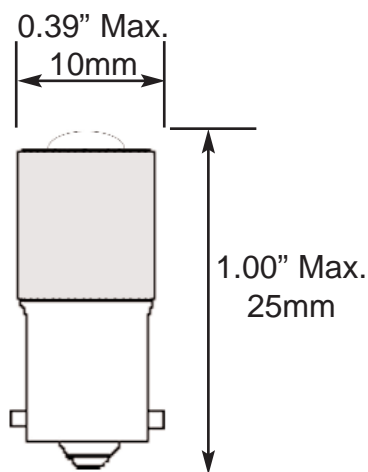
**Long Life - 100,000 Hour Rated Life
20% Brighter than most LEDs
Fully Resistant to Vibration & Shock
Cooler Operation - Lower Power Usage
Reduced Maintenance Cost and Downtime - Added Safety**

800-624-4568

T3 1/4 MB Base LED Lamps

AC/DC Single Chip Wide Angle Super Bright

Fits in any Miniature Bayonet Base Socket 6V - 28V



100,000 Hour Life

20% brighter than standard LEDs

Shock and Vibration Resistant

Description ATR Description	ATR Order Code	Price Each	Price Each 100 Pc +
T31/4 MB Amber LED-AMBER-T31/4-MB-6-28V	36937ATR	\$8.55	\$7.71
T31/4 MB Red LED-RED-T31/4-MB-6-28V	36934ATR	\$8.55	\$7.71
T31/4 MB Yellow LED-YELLOW-T31/4-MB-6-28V	36936ATR	\$8.55	\$7.71
T31/4 MB Blue LED-BLUE-T31/4-MB-6-28V	36932ATR	\$9.00	\$8.10
T31/4 MB Green LED-GREEN-T31/4-MB-6-28V	36933ATR	\$9.00	\$8.10
T31/4 MB White LED-WHITE-T31/4-MB-6-28V	36935ATR	\$9.00	\$8.10

Common Replacements:

216, 238, 239, 240, 256, 313, 44, 47, 755, 756, 757, 947, 1408, 1437, 1467, 1488, 1495X, 1810, 1813, 1815, 1816, 1818, 1819, 1820, 1829, 1843, 1847, 1855, 1864, 1866, 1873, 1886, 1888, 1889, 1891, 1892, 1893, 6MB, 12MB, 18MB, 24MB, 28MB, All MB applications 6V - 28V.

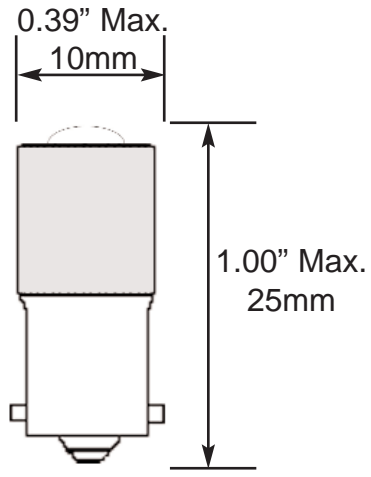
Note - Any LEDs used behind a colored lens should always be the same color as the lens.

**Call Toll Free 800-624-4568 or
Fax an Order Toll Free 800-747-0999**

www.atrlighting.com

T3 1/4 MB Base LED Lamps

AC/DC Single Chip Wide Angle Super Bright
 Fits in any Miniature Bayonet Base Socket 36V - 130V



100,000 Hour Life
20% brighter than standard LEDs
Shock and Vibration Resistant

Description ATR Description	ATR Order Code	Price Each	Price Each 100 Pc +
T31/4 MB Amber LED-AMBER-T31/4-MB-36-130V	36938ATR	\$8.85	\$7.98
T31/4 MB Red LED-RED-T31/4-MB-36-130V	36943ATR	\$8.85	\$7.98
T31/4 MB Yellow LED-YELLOW-T31/4-MB-36-130V	36942ATR	\$8.85	\$7.98
T31/4 MB Blue LED-BLUE-T31/4-MB-36-130V	36939ATR	\$9.45	\$8.52
T31/4 MB Green LED-GREEN-T31/4-MB-36-130V	36940ATR	\$9.45	\$8.52
T31/4 MB White LED-WHITE-T31/4-MB-36-130V	36941ATR	\$9.45	\$8.52

Common Replacements:
 48MB, 60MB, 90MB, 120MB, 130MB, 949, 967, 1822, 1828, 1835, CM8-3995,
 ALBA A949-99, B-3013, 130VMB2.4W, SP105
 All MB applications 36V - 130V.

Note - Any LEDs used behind a colored lens should always be the same color as the lens.

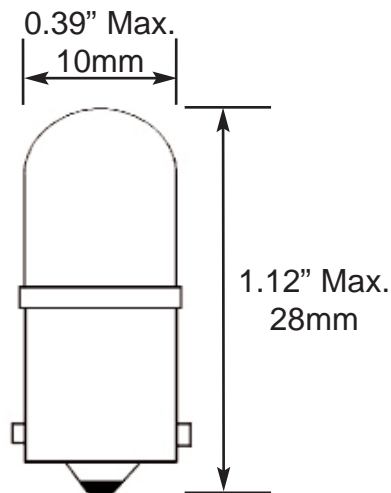
**Call Toll Free 800-624-4568 or
 Fax an Order Toll Free 800-747-0999**

www.atrlighting.com

T3 1/4 MB Dome Top LED Lamps

AC/DC Single Chip Wide Angle Super Bright

Fits in any Miniature Bayonet Base Socket 6V - 28V



100,000 Hour Life

20% brighter than standard LEDs

Shock and Vibration Resistant

Description ATR Description	ATR Order Code	Price Each	Price Each 100 Pc +
T31/4 MB Amber Dome LED-AMBER-DOME-T31/4-MB-6-28V	38934ATR	\$8.55	\$7.71
T31/4 MB Red Dome LED-RED-DOME-T31/4-MB-6-28V	38937ATR	\$8.55	\$7.71
T31/4 MB Yellow Dome LED-YELLOW-DOME-T31/4-MB-6-28V	38939ATR	\$8.55	\$7.71
T31/4 MB Blue Dome LED-BLUE-DOME-T31/4-MB-6-28V	38935ATR	\$9.00	\$8.10
T31/4 MB Green Dome LED-GREEN-DOME-T31/4-MB-6-28V	38936ATR	\$9.00	\$8.10
T31/4 MB White Dome LED-WHITE-DOME-T31/4-MB-6-28V	38938ATR	\$9.00	\$8.10

Common Replacements:

216, 238, 239, 240, 256, 313, 44, 47, 755, 756, 757, 947, 1408, 1437, 1467, 1488, 1495X, 1810, 1813, 1815, 1816, 1818, 1819, 1820, 1829, 1843, 1847, 1855, 1864, 1866, 1873, 1886, 1888, 1889, 1891, 1892, 1893, 6MB, 12MB, 18MB, 24MB, 28MB, All MB applications 6V - 28V.

Note - Any LEDs used behind a colored lens should always be the same color as the lens.

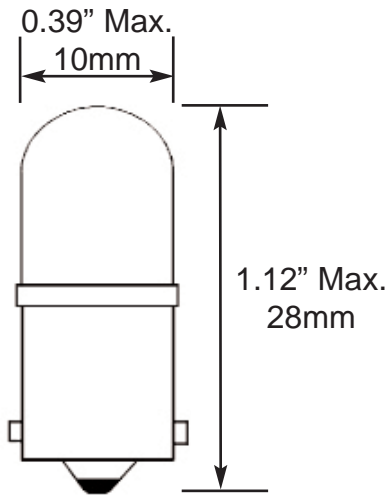
**Call Toll Free 800-624-4568 or
Fax an Order Toll Free 800-747-0999**

www.atrlighting.com

T3 1/4 MB Dome Top LED Lamps

AC/DC Single Chip Wide Angle Super Bright

Fits in any Miniature Bayonet Base Socket 36V - 130V



100,000 Hour Life

20% brighter than standard LEDs

Shock and Vibration Resistant

Description ATR Description	ATR Order Code	Price Each	Price Each 100 Pc +
T31/4 MB Amber Dome LED-AMBER-DOME-T31/4-MB-36-130V	38940ATR	\$8.85	\$7.98
T31/4 MB Red Dome LED-RED-DOME-T31/4-MB-36-130V	38943ATR	\$8.85	\$7.98
T31/4 MB Yellow Dome LED-YELLOW-DOME-T31/4-MB-36-130V	38945ATR	\$8.85	\$7.98
T31/4 MB Blue Dome LED-BLUE-DOME-T31/4-MB-36-130V	38941ATR	\$9.45	\$8.52
T31/4 MB Green Dome LED-GREEN-DOME-T31/4-MB-36-130V	38942ATR	\$9.45	\$8.52
T31/4 MB White Dome LED-WHITE-DOME-T31/4-MB-36-130V	38944ATR	\$9.45	\$8.52

Common Replacements:

48MB, 60MB, 90MB, 120MB, 130MB, 949, 967, 1822, 1828, 1835, CM8-3995,
ALBA 99-949, B-3013, 130v2.4W, SP105

All MB applications 36V - 130V.

Note - Any LEDs used behind a colored lens should always be the same color as the lens.

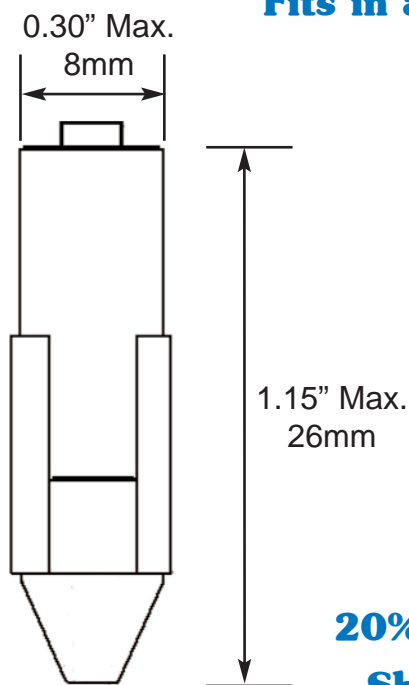
**Call Toll Free 800-624-4568 or
Fax an Order Toll Free 800-747-0999**

www.atrlighting.com

T2 #5 Slide Base LED Lamps

AC/DC Single Chip Wide Angle Super Bright

Fits in any #5 Slide Application 6V - 28V



100,000 Hour Life
20% brighter than standard LEDs
Shock and Vibration Resistant

Description ATR Description	ATR Order Code	Price Each	Price Each 100 Pc +
T2 #5 Slide Amber LED-AMBER-T2-PSB-6-28V	36944ATR	\$8.25	\$7.44
T2 #5 Slide Red LED-RED-T2-PSB-6-28V	36947ATR	\$8.25	\$7.44
T2 #5 Slide Yellow LED-YELLOW-T2-PSB-6-28V	36949ATR	\$8.25	\$7.44
T2 #5 Slide Blue LED-BLUE-T2-PSB-6-28V	36945ATR	\$8.85	\$7.98
T2 #5 Slide Green LED-Green-T2-PSB-6-28V	36946ATR	\$8.85	\$7.98
T2 #5 Slide White LED-WHITE-T2-PSB-6-28V	36948ATR	\$8.85	\$7.98

Common Replacements:

6CSB, 12CSB, 24CSB, 28CSB, 35CSB, 6ESB, 12ESB, 24ESB, 28ESB, 35ESB, 6PSB, 12PSB, 24PSB, 28PSB, 35PSB

All CSB, ESB, PSB, #5 Slide applications 6V - 28V.

Note - Any LEDs used behind a colored lens should always be the same color as the lens.

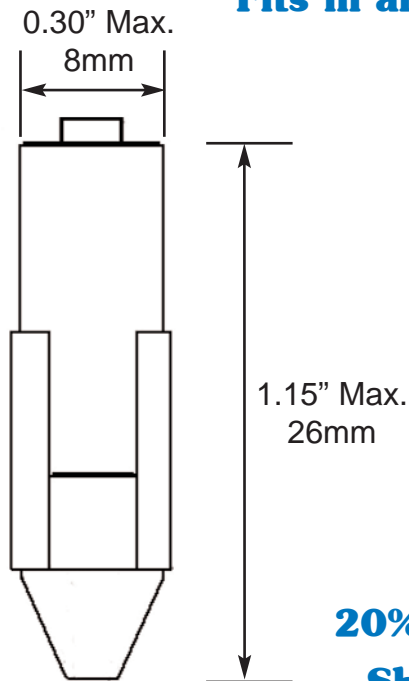
**Call Toll Free 800-624-4568 or
 Fax an Order Toll Free 800-747-0999**

www.atrlighting.com

T2 #5 Slide Base LED Lamps

AC/DC Single Chip Wide Angle Super Bright

Fits in any #5 Slide Application 36V - 130V



100,000 Hour Life

20% brighter than standard LEDs

Shock and Vibration Resistant

Description ATR Description	ATR Order Code	Price Each	Price Each 100 Pc +
T2 #5 Slide Amber LED-AMBER-T2-PSB-36-130V	36980ATR	\$8.85	\$7.98
T2 #5 Slide Red LED-RED-T2-PSB-36-130V	36952ATR	\$8.85	\$7.98
T2 #5 Slide Yellow LED-YELLOW-T2-PSB-36-130V	36950ATR	\$8.85	\$7.98
T2 #5 Slide Blue LED-BLUE-T2-PSB-36-130V	36951ATR	\$9.45	\$8.52
T2 #5 Slide Green LED-Green-T2-PSB-36-130V	36953ATR	\$9.45	\$8.52
T2 #5 Slide White LED-WHITE-T2-PSB-36-130V	36954ATR	\$9.45	\$8.52

Common Replacements:

48CSB, 60CSB, 120CSB, 48ESB, 60ESB, 120ESB, 48PSB, 60PSB, 120PSB

All CSB, ESB, PSB, #5 Slide applications 36V - 130V.

Note - Any LEDs used behind a colored lens should always be the same color as the lens.

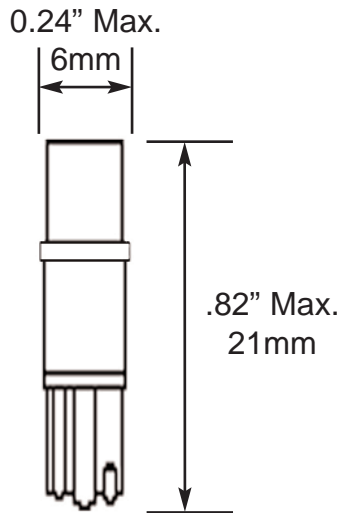
**Call Toll Free 800-624-4568 or
Fax an Order Toll Free 800-747-0999**

www.atrlighting.com

T1 3/4 Wedge Base LED Lamps

Single Chip Wide Angle Super Bright

Fits in any T1 3/4 Wedge Base Socket 6V - 28V



100,000 Hour Life

20% brighter than standard LEDs

Shock and Vibration Resistant

Description ATR Description	ATR Order Code	Price Each	Price Each 100 Pc +
T1 3/4 Wedge Amber LED-AMBER-T13/4 WB-6-28V	36926ATR	\$2.75	\$2.48
T1 3/4 Wedge Red LED-RED-T13/4 WB-6-28V	36929ATR	\$2.75	\$2.48
T1 3/4 Wedge Yellow LED-YELLOW-T13/4 WB-6-28V	36931ATR	\$2.75	\$2.48
T1 3/4 Wedge Blue LED-BLUE-T13/4 WB-6-28V	36927ATR	\$2.95	\$2.66
T1 3/4 Wedge Green LED-GREEN-T13/4 WB-6-28V	36928ATR	\$2.95	\$2.66
T1 3/4 Wedge White LED-WHITE-T13/4 WB-6-28V	36930ATR	\$2.95	\$2.66

Common Replacements:
17, 37, 73, 74, 79, 85, 86

All T1 3/4 Wedge base applications 6V - 28V.

Note - Any LEDs used behind a colored lens should always be the same color as the lens.

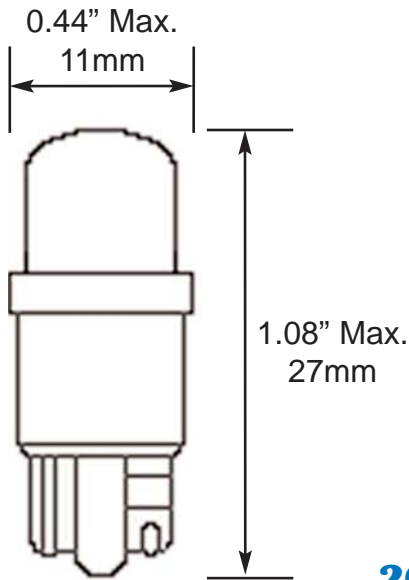
**Call Toll Free 800-624-4568 or
Fax an Order Toll Free 800-747-0999**

www.atrlighting.com

T3 1/4 Wedge Base LED Lamps

Single Chip Wide Angle Super Bright

Fits in any T3 1/4 Wedge Base Socket 6V - 28V



100,000 Hour Life
20% brighter than standard LEDs
Shock and Vibration Resistant

Description ATR Description	ATR Order Code	Price Each	Price Each 100 Pc +
T31/4 Wedge Amber LED-AMBER-T31/4 WB-6-28V	38868ATR	\$6.60	\$5.94
T31/4 Wedge Red LED-RED-T31/4 WB-6-28V	38871ATR	\$6.60	\$5.94
T31/4 Wedge Yellow LED-YELLOW-T31/4 WB-6-28V	38873ATR	\$6.60	\$5.94
T31/4 Wedge Blue LED-BLUE-T31/4 WB-6-28V	38869ATR	\$7.80	\$7.02
T31/4 Wedge Green LED-GREEN-T31/4 WB-6-28V	38870ATR	\$7.80	\$7.02
T31/4 Wedge White LED-WHITE-T31/4 WB-6-28V	38872ATR	\$7.80	\$7.02

Common Replacements:

1X, 2X, 147, 152, 158, 159, 161, 168, 192, 193, 194, 259, 280, 400, 447, 464, 555, 585, 655, 657, 658, 3829

All T3 1/4 Wedge base applications 6V - 28V.

Note - Any LEDs used behind a colored lens should always be the same color as the lens.

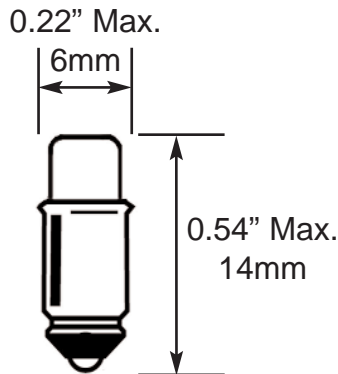
**Call Toll Free 800-624-4568 or
 Fax an Order Toll Free 800-747-0999**

www.atrlighting.com

T1 3/4 Midget Groove LED Lamps

Single Chip Wide Angle Super Bright

Fits in any T1 3/4 Midget Groove Base Socket 6V - 28V



100,000 Hour Life

20% brighter than standard LEDs

Shock and Vibration Resistant

Description ATR Description	ATR Order Code	Price Each	Price Each 100 Pc +
T13/4 Midget Groove Amber LED-AMBER-T13/4 MG-6-28V	38816ATR	\$6.60	\$5.94
T13/4 Midget Groove Red LED-RED-T13/4 MG-6-28V	38819ATR	\$6.60	\$5.94
T13/4 Midget Groove Yellow LED-YELLOW-T13/4 MG-6-28V	38821ATR	\$6.60	\$5.94
T13/4 Midget Groove Blue LED-BLUE-T13/4 MG-6-28V	38817ATR	\$7.80	\$7.02
T13/4 Midget Groove Green LED-GREEN-T13/4 MG-6-28V	38818ATR	\$7.80	\$7.02
T13/4 Midget Groove White LED-WHITE-T13/4 MG-6-28V	38820ATR	\$7.80	\$7.02

Common Replacements:

334, 336, 337, 346, 379, 386, 388, 393, 397, 398, 457, 709, 3904, 4910, 7351, 7352, 7353, 7354, 7355, 7356, 8177, 8705, 8706, 8708, 334LSV,

All Midget Grooved applications 6V - 28V.

Note - Any LEDs used behind a colored lens should always be the same color as the lens.

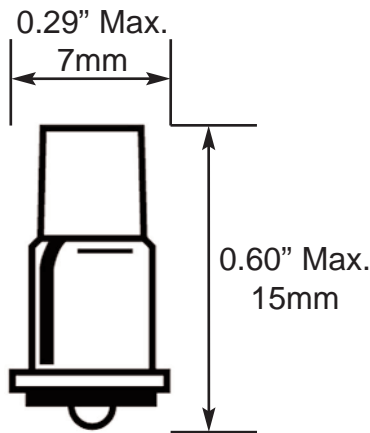
**Call Toll Free 800-624-4568 or
Fax an Order Toll Free 800-747-0999**

www.atrlighting.com

T1 3/4 Midget Flanged LED Lamps

Single Chip Wide Angle Super Bright

Fits in any T1 3/4 Midget Flanged Socket 6V - 28V



100,000 Hour Life

20% brighter than standard LEDs

Shock and Vibration Resistant

Description ATR Description	ATR Order Code	Price Each	Price Each 100 Pc +
T13/4 Midget Flanged Amber LED-AMBER-T13/4 MF-6-28V	38810ATR	\$6.60	\$5.94
T13/4 Midget Flanged Red LED-RED-T13/4 MF-6-28V	38813ATR	\$6.60	\$5.94
T13/4 Midget Flanged Yellow LED-YELLOW-T13/4 MF-6-28V	38815ATR	\$6.60	\$5.94
T13/4 Midget Flanged Blue LED-BLUE-T13/4 MF-6-28V	38811ATR	\$7.80	\$7.02
T13/4 Midget Flanged Green LED-GREEN-T13/4 MF-6-28V	38812ATR	\$7.80	\$7.02
T13/4 Midget Flanged White LED-WHITE-T13/4 MF-6-28V	38814ATR	\$7.80	\$7.02

Common Replacements:

327, 328, 330, 344, 345, 349, 350, 367, 367x, 370, 376, 377, 380, 381, 382, 385, 387, 394, 3903, 4908, 6034, 7336, 7338, 7341, 8176, 8918

All Midget Flanged applications 6V - 28V.

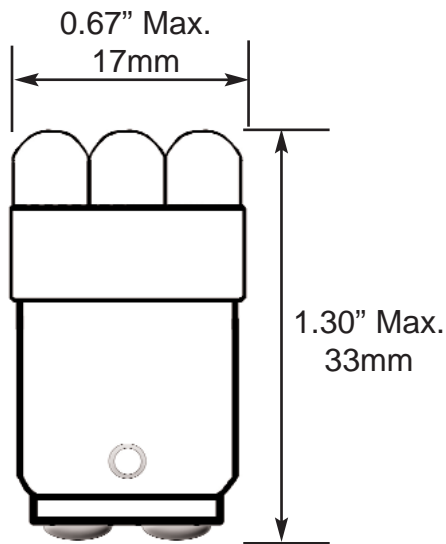
Note - Any LEDs used behind a colored lens should always be the same color as the lens.

**Call Toll Free 800-624-4568 or
Fax an Order Toll Free 800-747-0999**

www.atrlighting.com

T5 1/2 Double Contact Base LED Lamps

Multi Diode Wide Angle Super Bright
Fits in any DC BA15d Socket 6V - 28V



100,000 Hour Life
20% brighter than standard LEDs
Shock and Vibration Resistant

Description ATR Description	ATR Order Code	Price Each	Price Each 100 Pc +
T51/2 DC Amber LED-AMBER-T51/2 DC-6-28V	38841ATR	\$20.40	\$18.36
T51/2 DC Red LED-RED-T51/2 DC-6-28V	38844ATR	\$20.40	\$18.36
T51/2 DC Yellow LED-YELLOW-T51/2 DC-6-28V	38846ATR	\$20.40	\$18.36
T51/2 DC Blue LED-BLUE-T51/2 DC-6-28V	38842ATR	\$20.40	\$18.36
T51/2 DC Green LED-GREEN-T51/2 DC-6-28V	38843ATR	\$20.40	\$18.36
T51/2 DC White LED-WHITE-T51/2 DC-6-28V	38845ATR	\$20.40	\$18.36

Common Replacements:

6, 88, 94, 306, 308, 1076, 1080, 1130, 1142, 1152, 1204, 1493, 1497, 1594, 1608, 1618, 1648, 1696, 10S6DC, 3S6DC, 6S6DC
 All BA15d applications 6V - 28V.

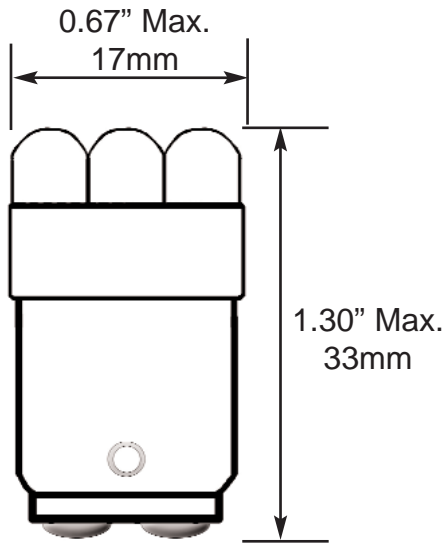
Note - Any LEDs used behind a colored lens should always be the same color as the lens.

Call Toll Free 800-624-4568 or
Fax an Order Toll Free 800-747-0999

www.atrlighting.com

T5 1/2 Double Contact Base LED Lamps

Multi Diode Wide Angle Super Bright
Fits in any DC BA15d Socket 36V - 130V



100,000 Hour Life
20% brighter than standard LEDs
Shock and Vibration Resistant



Description ATR Description	ATR Order Code	Price Each	Price Each 100 Pc +
T51/2 DC Amber LED-AMBER-T51/2 DC-36-130V	38847ATR	\$23.40	\$21.06
T51/2 DC Red LED-RED-T51/2 DC-36-130V	38850ATR	\$23.40	\$21.06
T51/2 DC Yellow LED-YELLOW-T51/2 DC-36-130V	38852ATR	\$23.40	\$21.06
T51/2 DC Blue LED-BLUE-T51/2 DC-36-130V	38848ATR	\$23.40	\$21.06
T51/2 DC Green LED-GREEN-T51/2 DC-36-130V	38849ATR	\$23.40	\$21.06
T51/2 DC White LED-WHITE-T51/2 DC-36-130V	38851ATR	\$23.40	\$21.06

Common Replacements:
 110, 895, 1228, 1229, 1676, 10S6DC, 3S6DC, 6S6DC

All BA15d applications 36V - 130V.

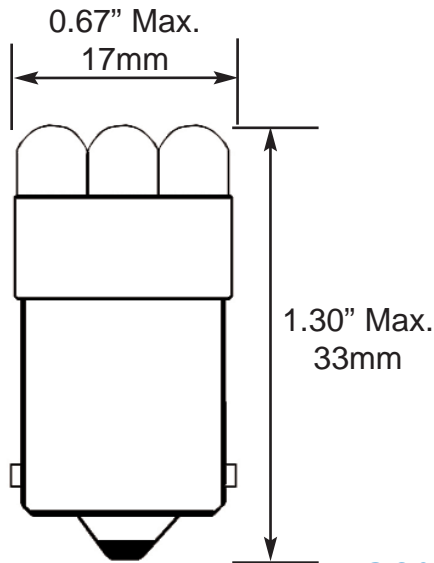
Note - Any LEDs used behind a colored lens should always be the same color as the lens.

Call Toll Free 800-624-4568 or
Fax an Order Toll Free 800-747-0999

www.atrlighting.com

T5 1/2 Single Contact Base LED Lamps

Multi Diode Wide Angle Super Bright
Fits in any SC BA15s Socket 6V - 28V



100,000 Hour Life
20% brighter than standard LEDs
Shock and Vibration Resistant

Description ATR Description	ATR Order Code	Price Each	Price Each 100 Pc +
T51/2 SC Amber LED-AMBER-T51/2 SC-6-28V	38853ATR	\$20.40	\$18.36
T51/2 SC Red LED-RED-T51/2 SC-6-28V	38856ATR	\$20.40	\$18.36
T51/2 SC Yellow LED-YELLOW-T51/2 SC-6-28V	38858ATR	\$20.40	\$18.36
T51/2 SC Blue LED-BLUE-T51/2 SC-6-28V	38854ATR	\$20.40	\$18.36
T51/2 SC Green LED-GREEN-T51/2 SC-6-28V	38855ATR	\$20.40	\$18.36
T51/2 SC White LED-WHITE-T51/2 SC-6-28V	38857ATR	\$20.40	\$18.36

Common Replacements:

87, 93, 199, 305, 307, 315, 1073, 1095, 1129, 1141, 1156, 1161, 1203, 1295, 1462, 1489, 1489X, 1563, 1591, 1605, 1613, 1619, 1665, 1680, 1680X, 1683, 1691, 1777, 2232, 2233, 10S6SC, 3S6SC, 6S6SC, All SC applications 6V - 28V.

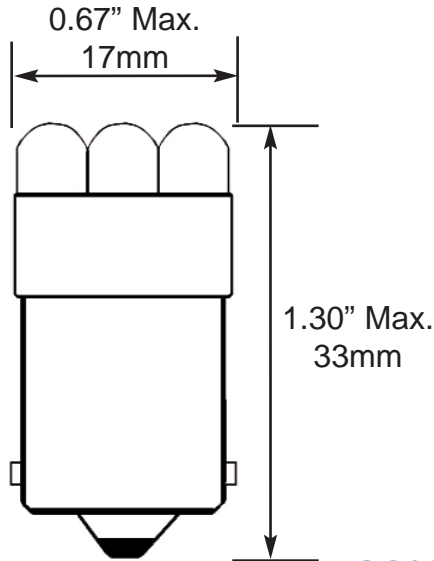
Note - Any LEDs used behind a colored lens should always be the same color as the lens.

Call Toll Free 800-624-4568 or
Fax an Order Toll Free 800-747-0999

www.atrlighting.com

T5 1/2 Single Contact Base LED Lamps

Multi Diode Wide Angle Super Bright
Fits in any SC BA15S Socket 36V - 130V



100,000 Hour Life
20% brighter than standard LEDs
Shock and Vibration Resistant



Description ATR Description	ATR Order Code	Price Each	Price Each 100 Pc +
T51/2 SC Amber LED-AMBER-T51/2 SC-36-130V	38859ATR	\$23.40	\$21.06
T51/2 SC Red LED-RED-T51/2 SC-36-130V	38862ATR	\$23.40	\$21.06
T51/2 SC Yellow LED-YELLOW-T51/2 SC-36-130V	38864ATR	\$23.40	\$21.06
T51/2 SC Blue LED-BLUE-T51/2 SC-36-130V	38860ATR	\$23.40	\$21.06
T51/2 SC Green LED-GREEN-T51/2 SC-36-130V	38861ATR	\$23.40	\$21.06
T51/2 SC White LED-WHITE-T51/2 SC-36-130V	38863ATR	\$23.40	\$21.06

Common Replacements:
109, 10S6SC, 3S6SC, 6S6SC

All SC applications 36V - 130V.

Note - Any LEDs used behind a colored lens should always be the same color as the lens.

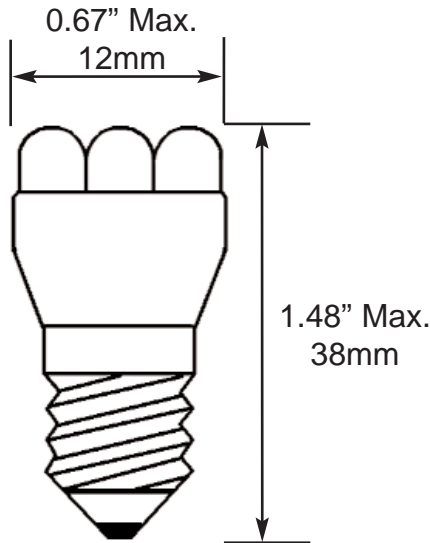
Call Toll Free 800-624-4568 or
Fax an Order Toll Free 800-747-0999

www.atrlighting.com

T5 1/2 Candelabra Base LED Lamps

Multi Diode Wide Angle Super Bright

Fits in any Candelabra E12 Socket 6V - 28V



100,000 Hour Life
20% brighter than standard LEDs
Shock and Vibration Resistant

Description ATR Description	ATR Order Code	Price Each	Price Each 100 Pc +
T51/2 Candelabra Amber LED-AMBER-T51/2 CAND-6-28V	38822ATR	\$20.40	\$18.36
T51/2 Candelabra Red LED-RED-T51/2 CAND-6-28V	38825ATR	\$20.40	\$18.36
T51/2 Candelabra Yellow LED-YELLOW-T51/2 CAND-6-28V	38828ATR	\$20.40	\$18.36
T51/2 Candelabra Blue LED-BLUE-T51/2 CAND-6-28V	38823ATR	\$20.40	\$18.36
T51/2 Candelabra Green LED-GREEN-T51/2 CAND-6-28V	38824ATR	\$20.40	\$18.36
T51/2 Candelabra White LED-WHITE-T51/2 CAND-6-28V	38827ATR	\$20.40	\$18.36

Common Replacements:
1479, 1480, 1841, 3S6, 6S6, 10S6

All CAND applications 6V - 28V.

Note - Any LEDs used behind a colored lens should always be the same color as the lens.

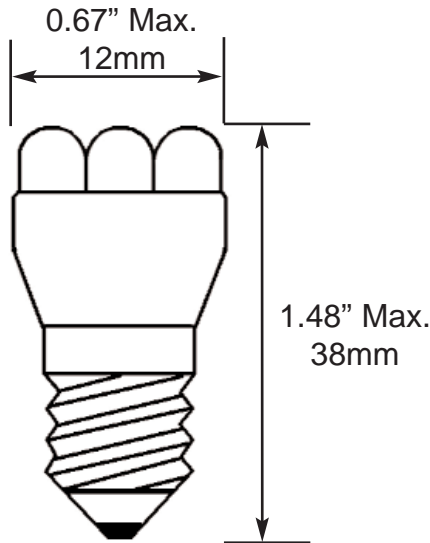
**Call Toll Free 800-624-4568 or
 Fax an Order Toll Free 800-747-0999**

www.atrlighting.com

T5 1/2 Candelabra Base LED Lamps

Multi Diode Wide Angle Super Bright

Fits in any Candelabra E12 Socket 36V - 130V



100,000 Hour Life

20% brighter than standard LEDs

Shock and Vibration Resistant

Description ATR Description	ATR Order Code	Price Each	Price Each 100 Pc +
T51/2 Candelabra Amber LED-AMBER-T51/2 CAND-36-130V	38829ATR	\$23.40	\$21.06
T51/2 Candelabra Red LED-RED-T51/2 CAND-36-130V	38832ATR	\$23.40	\$21.06
T51/2 Candelabra Yellow LED-YELLOW-T51/2 CAND-36-130V	38834ATR	\$23.40	\$21.06
T51/2 Candelabra Blue LED-BLUE-T51/2 CAND-36-130V	38830ATR	\$23.40	\$21.06
T51/2 Candelabra Green LED-GREEN-T51/2 CAND-36-130V	38831ATR	\$23.40	\$21.06
T51/2 Candelabra White LED-WHITE-T51/2 CAND-36-130V	38833ATR	\$23.40	\$21.06

Common Replacements:
3S6, 4T4.5-125V-CS-S, 6S6, 6T4.5-125V-CS-S, 10S6

All CAND applications 36V - 130V.

Note - Any LEDs used behind a colored lens should always be the same color as the lens.

**Call Toll Free 800-624-4568 or
Fax an Order Toll Free 800-747-0999**

www.atrlighting.com

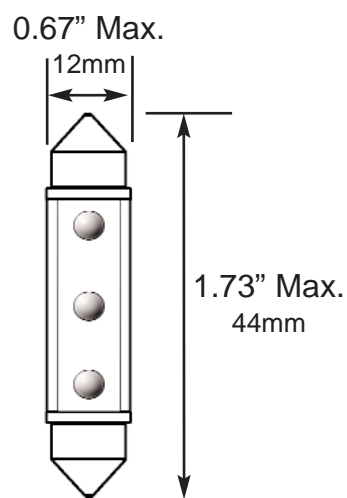
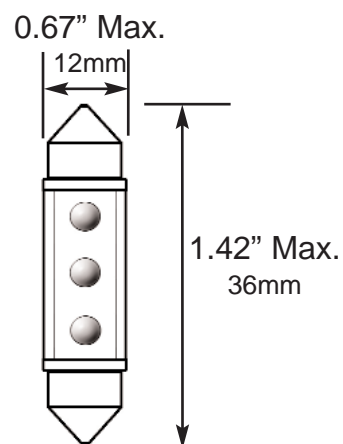
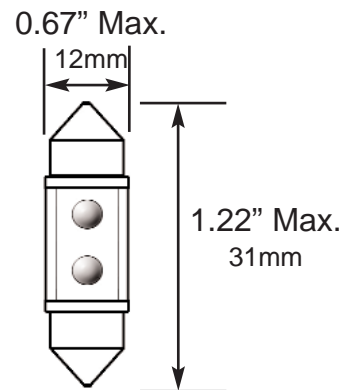
T3 Festoon SV8.5-8 Base LED Lamps

Multi Chip 180 Degree Angle Super Bright

Fits in any Festoon SV8.5-8 Socket 6V - 28V



Description ATR Description	ATR Order Code	Price Each	Price Each 100 Pc +
T3 Festoon White 31mm LED-WHITE-T3-FT31-FR-12V	38961ATR	\$20.25	\$18.24
T3 Festoon Warm 31mm LED-WARMWHITE-T3-FT31-FR-12V	38960ATR	\$20.25	\$18.24
T3 Festoon White 36mm LED-WHITE-T3-FT36-FR-12V	38954ATR	\$20.25	\$18.24
T3 Festoon Warm 36mm LED-WARMWHITE-T3-FT36-FR-12V	38955ATR	\$20.25	\$18.24
T3 Festoon White 44mm LED-WHITE-T3-FT44-FR-12V	38949ATR	\$20.25	\$18.24
T3 Festoon Warm 44mm LED-WARMWHITE-T3-FT44-FR-12V	38951ATR	\$20.25	\$18.24
T3 Festoon White 31mm LED-WHITE-T3-FT31-FR-24V	39039ATR	\$20.25	\$18.24
T3 Festoon Warm 31mm LED-WARMWHITE-T3-FT31-FR-24V	39033ATR	\$20.25	\$18.24
T3 Festoon White 36mm LED-WHITE-T3-FT36-FR-24V	39041ATR	\$20.25	\$18.24
T3 Festoon Warm 36mm LED-WARMWHITE-T3-FT36-FR-24V	39035ATR	\$20.25	\$18.24
T3 Festoon White 44mm LED-WHITE-T3-FT44-FR-24V	39043ATR	\$20.25	\$18.24
T3 Festoon Warm 44mm LED-WARMWHITE-T3-FT44-FR-24V	39037ATR	\$20.25	\$18.24



Common Replacements: All Festoon applications 6V - 28V.

41mm - 6411, 6413, 6421, 6424, 6429, 6450, FT120XF, FT1205XF, FT2403XF, FT2405XF

36mm - 6416, 6418, 6423, 6461

31mm - DE3175, 6428, 6430

**Call Toll Free 800-624-4568 or
Fax an Order Toll Free 800-747-0999**

www.atrlighting.com

MR16 GU 5.3 Base LED Lamps

20 Diode Wide Angle Super Bright
Fits in any GU5.3 Bi-Pin Socket 12V



100,000 Hour Life
Shock and Vibration Resistant

Description ATR Description	ATR Order Code	Price Each	Price Each 10 Pc +
MR16 GU5.3 Amber LED-MR16 12V 20 DIODE-AMBER	36320ATR	\$12.75	\$11.49
MR16 GU5.3 Red LED-MR16 12V 20 DIODE-RED	36318ATR	\$12.75	\$11.49
MR16 GU5.3 Yellow LED-MR16 12V 20 DIODE-YELLOW	36319ATR	\$12.75	\$11.49
MR16 GU5.3 Blue LED-MR16 12V 20 DIODE-BLUE	36316ATR	\$14.58	\$13.11
MR16 GU5.3 Green LED-MR16 12V 20 DIODE-GREEN	36317ATR	\$14.58	\$18.69
MR16 GU5.3 White LED-MR16 12V 20 DIODE-WHITE	36315ATR	\$14.58	\$19.71

Common Replacements:

All 12v MR16 GU5.3 and GX5.3 base Applications

Note - Any LEDs used behind a colored lens should always be the same color as the lens.

**Call Toll Free 800-624-4568 or
Fax an Order Toll Free 800-747-0999**

www.atrlighting.com

C7 Candelabra Base LED Lamps

Wide Angle Super Bright

Fits in any Candelabra E12 Socket 110V - 130V



**100,000
Hours**

Double the Life
of standard
LEDs

100,000 Hour Life

20% brighter than standard LEDs

Shock and Vibration Resistant

Description ATR Description	ATR Order Code	Price Each	Price Each 25 Pc +
C7 Candelabra Amber LED-AMBER-C7 CAND-120-130V	38835ATR	\$6.75	\$5.85
C7 Candelabra Red LED-RED-C7 CAND-120-130V	38838ATR	\$6.75	\$5.85
C7 Candelabra Yellow LED-YELLOW-C7 CAND-120-130V	38840ATR	\$6.75	\$5.85
C7 Candelabra Blue LED-BLUE-C7 CAND-120-130V	38836ATR	\$6.75	\$5.85
C7 Candelabra Green LED-GREEN-C7 CAND-120-130V	38837ATR	\$6.75	\$5.85
C7 Candelabra White LED-WHITE-C7 CAND-120-130V	38839ATR	\$6.75	\$5.85

Common Replacements:
4C7, 5C7, 7C7, 10C7

All CAND applications 36V - 130V.

Note - Any LEDs used behind a colored lens should always be the same color as the lens.

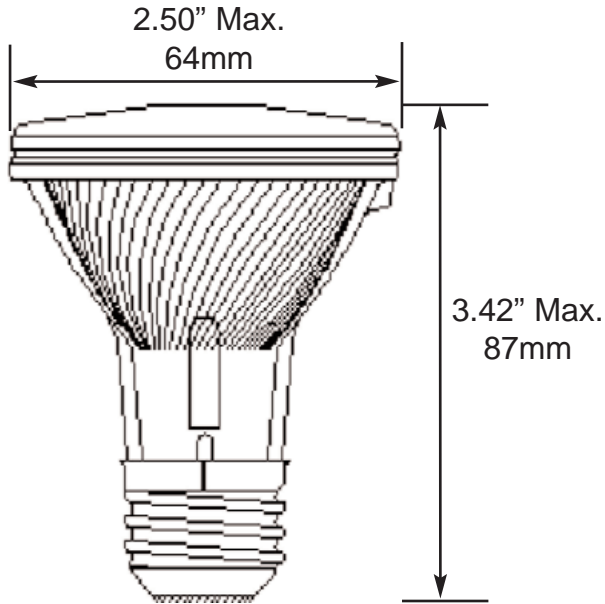
**Call Toll Free 800-624-4568 or
Fax an Order Toll Free 800-747-0999**

www.atrlighting.com

PAR20 Medium Base LED Lamps

36 Chip Wide Angle Super Bright

Fits in any Medium Base Socket 115V - 130V



100,000 Hour Life
Shock and Vibration Resistant

Description ATR Description	ATR Order Code	Price Each	Price Each 100 Pc +
PAR20 Medium Blue PAR2036LEDBFL	38912OSI	\$31.50	\$28.35
PAR20 Medium Green PAR2036LEDGFL	38913OSI	\$37.50	\$33.75
PAR20 Medium Red PAR2036LEDRFL	38911OSI	\$31.50	\$28.35
PAR20 Medium Yellow PAR2036LEDYFL	38909OSI	\$31.50	\$28.35

Common Replacements:
50PAR20

All Med Base applications 110V - 130V.

Note - Any LEDs used behind a colored lens should always be the same color as the lens.

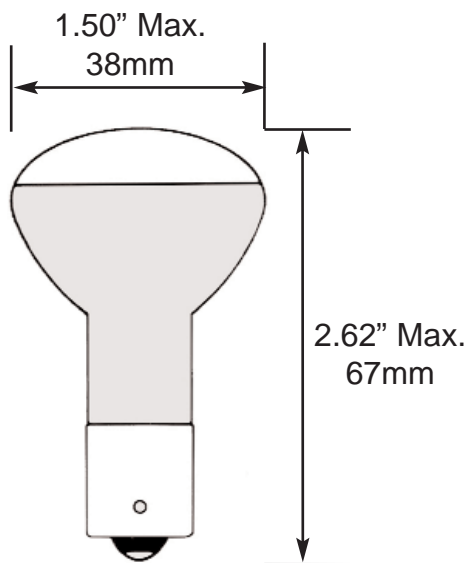
Call Toll Free 800-624-4568 or
Fax an Order Toll Free 800-747-0999

www.atrlighting.com

R12 SC Base LED Lamps

6 Chip Wide Angle Super Bright

Fits in any Single Contact BA15s Socket 13V



100,000 Hour Life

20% brighter than standard LEDs

Shock and Vibration Resistant

Description ATR Description	ATR Order Code	Price Each	Price Each 100 Pc +
R12 SC R12 White LED-WHITE-1383	38962ATR	\$26.10	\$23.49
R12 SC R12 Warm LED-WARMWHITE-1383	38963ATR	\$26.10	\$23.49

Common Replacements:

1383

All SC BA15s applications 6V - 12V.

Let ATR build a LED to fit your application

Almost every appliance may easily be retrofitted to a LED.

Size, base or color can be assembled for your application.

If your replacement is not listed in this catalog, give us a call and talk with one of our specialists in order to fit your specifications.

Note - Any LEDs used behind a colored lens should always be the same color as the lens.

**Call Toll Free 800-624-4568 or
Fax an Order Toll Free 800-747-0999**

www.atrlighting.com

Quick Cross Reference

Listed below are some of the more common miniature lamps that have been retrofitted to a LED. If your lamp is not listed below, please call our customer service department for that specification.

Miniature #	Find it on Page:	Miniature #	Find it on Page:	Miniature #	Find it on Page:	Miniature #	Find it on Page:
1X	9	94	12	464	9	1818	2,4
2X	9	109	15	555	9	1819	2,4
3S6	16	110	13	585	9	1820	2,4
3S6	17	120CSB	7	655	9	1822	3,5
3S6DC	12	120ESB	7	657	9	1828	3,5
3S6DC	13	120MB	3,5	658	9	1829	2,4
3S6SC	14	120PSB	7	709	10	1835	3,5
3S6SC	15	130MB	3,5	755	2,4	1841	16
4T4.5-125V-CS-S	17	130VMB2.4W	3,5	756	2,4	1843	2,4
6	12	147	9	757	2,4	1847	2,4
6CSB	6	152	9	895	13	1855	2,4
6ESB	6	158	9	947	2,4	1864	2,4
6MB	2,4	159	9	949	3,5	1866	2,4
6PSB	6	161	9	967	3,5	1873	2,4
6S6	16	168	9	1073	14	1886	2,4
6S6	17	192	9	1076	12	1888	2,4
6S6DC	12	193	9	1080	12	1889	2,4
6S6DC	13	194	9	1095	14	1891	2,4
6S6SC	14	199	14	1129	14	1892	2,4
6S6SC	15	216	2,4	1130	12	1893	2,4
6T4.5-125V-CS-S	17	238	2,4	1141	14	2232	14
10S6	16	239	2,4	1142	12	2233	14
10S6	17	240	2,4	1152	12	3829	9
10S6DC	12	256	2,4	1156	14	3903	11
10S6DC	13	259	9	1161	14	3904	10
10S6SC	14	280	9	1203	14	4908	11
10S6SC	15	305	14	1204	12	4910	10
12CSB	6	306	12	1228	13	6034	11
12ESB	6	307	14	1229	13	6411	18
12MB	2,4	308	12	1295	14	6413	18
12PSB	6	313	2,4	1383	22	6416	18
17	8	315	14	1408	2,4	6418	18
18MB	2,4	327	11	1437	2,4	6421	18
24MB	2,4	328	11	1462	14	6423	18
24CSB	6	330	11	1467	2,4	6424	18
24ESB	6	334	10	1479	16	6428	18
24PSB	6	334LSV	10	1480	16	6429	18
28CSB	6	336	10	1488	2,4	6430	18
28ESB	6	337	10	1489	14	6450	18
28MB	2,4	344	11	1489X	14	6461	18
28PSB	6	345	11	1493	12	7336	11
35CSB	6	346	10	1495X	2,4	7338	11
35ESB	6	349	11	1497	12	7341	11
35PSB	6	350	11	1563	14	7351	10
37	8	367	11	1591	14	7352	10
44	2,4	367X	11	1594	12	7353	10
47	2,4	370	11	1605	14	7354	10
48CSB	7	376	11	1608	12	7355	10
48ESB	7	377	11	1613	14	7356	10
48MB	3,5	379	10	1618	12	8176	11
48PSB	7	380	11	1619	14	8177	10
60CSB	7	381	11	1648	12	8705	10
60ESB	7	382	11	1665	14	8706	10
60MB	3,5	385	11	1676	13	8708	10
60PSB	7	386	10	1680	14	8918	11
73	8	387	11	1680X	14	ALBA A949-99	3,5
74	8	388	10	1683	14	B-3013	3,5
79	8	393	10	1691	14	CM8-3995	3,5
85	8	394	11	1696	12	DE3175	18
86	8	397	10	1777	14	FT1205XF	18
87	14	398	10	1810	2,4	FT120XF	18
88	12	400	9	1813	2,4	FT2403XF	18
90MB	3,5	447	9	1815	2,4	FT2405XF	18
93	14	457	10	1816	2,4	SP105	3,5



**Don't throw away the device, when
you can change your light source.
LED lamp replacements from ATR Lighting**



Lighting Enterprises, Inc.
PO Box 67
Richland, MO 65556

Presorted Standard
U.S. Postage
PAID
Jefferson City, MO
Permit No. 89



LED-07

800-624-4568

"The LED Specialist"

www.atrlighting.com

