



MasterColor CDM Integrated PAR38 Protected

MasterColor CDM-i 25W PAR38SP/3K 1CT

The Philips MasterColor® 25W Integrated is an all-in-one lamp and ballast in a PAR38 reflector.

PHILIPS

Product data

• General Characteristics

Base	Medium [Single Contact Medium Screw]
Bulb	PAR38 [PAR 4.75 inch/121mm]
Operating Position	Universal [Any or Universal (U)]
RatedAvgLife(See Family Notes)	15000 hr

• Light Technical Characteristics

Beam Angle	10 D
Approx. MBCP	26000 cd
Color Code	830 [CCT of 3000K]
Color Rendering Index	82 (min), 85 (nom) Ra8
Color Designation	Warm White
Color Temperature	3000 K
Initial Lumens	1450 Lm
Luminous Efficacy	58 Lm/W
Lamp EM	
Chromaticity Coordinate X	0.429 -
Chromaticity Coordinate Y	0.395 -

• Electrical Characteristics

Watts	25 W
Lamp Wattage	25 W
Lamp Voltage	120 V
Lamp Current EM	0.36 A
Ignition Time	30 (max) s
Run-up time 90%	3 (max) min
Re-ignition Time [min]	15 (max) min
Dimmable	No

• Environmental Characteristics

Mercury (Hg) Content	2.4 mg
----------------------	--------

• UV-related Characteristics

Damage Factor D/fc PET (NIOSH)	0.29 - 493.7 h500lx
--------------------------------	---------------------

• Luminaire Design Requirements

Cap-Base Temperature	66 C
----------------------	------

• Product Dimensions

Overall Length C	135 (max) mm
Diameter D	124 (max) mm

• Product Data

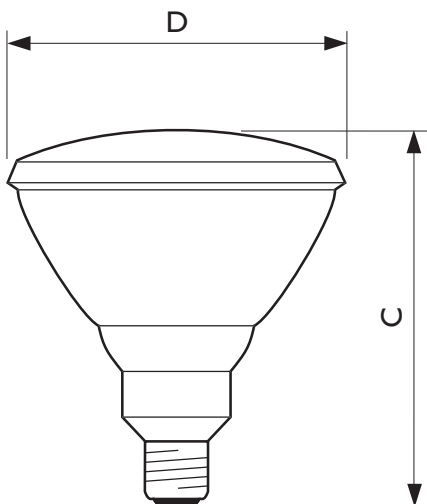
Product number	144774
Full product name	MasterColor CDM-i 25W PAR38SP/3K 1CT
Short product name	CDM-I 25/PAR38/SP/3K 6PK
Pieces per Sku	1
eop_pck_cfg	6
Skus/Case	6
Bar code on pack	46677144777
Bar code on case	50046677144772
Logistics code(s)	928092705819
tpd_ilcos_cd	MBRS/UB-25/30/1B-E26
eop_net_weight_pp	0.290 kg

Warnings and Safety

- R "WARNING: These lamps can cause serious skin burn and eye inflammation from short wave ultraviolet radiation if outer envelope of the lamp is broken or punctured. Do not use where people will

remain for more than a few minutes unless adequate shielding or other safety precautions are used. Certain lamps that will automatically extinguish when the outer envelope is broken or punctured are commercially available." This lamp complies with FDA radiation performance standard 21 CFR subchapter J. (USA:21 CFR 1040.30 Canada: SOR/DORS/80-381)

Dimensional drawing



MasterColor CDM-i 25W PAR38SP/3K 1CT

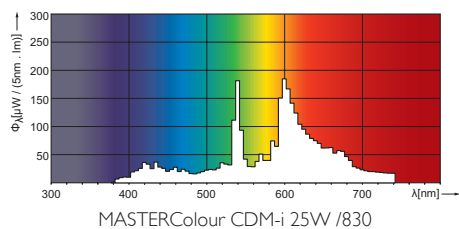
Product	C (Max)	D (Max)
CDM-i 25W/830 E26 PAR38 10D	135	124

Dimensional drawing



E26

Photometric data



© 2014 Koninklijke Philips N.V. (Royal Philips)
All rights reserved.

Specifications are subject to change without notice. Trademarks are the property of Koninklijke Philips N.V. (Royal Philips) or their respective owners.

www.philips.com/lighting

2014, February 1
data subject to change